

MAGNUM MT-16 LED 35W 4000K

OPTICS-S; RAL9007

MAGNUM street light series offers a quick and safe vertical or side entry installation on poles or consoles from $\varnothing 42$ to $\varnothing 60$ mm with a standard equipped 3-pole quick IP66/68 connector or a so-called "Fast Connect System" which allows you to connect the luminaire without opening the fixture. Special and diverse optics of installed LED modules ensure that the luminaire corresponds to various lighting demands under different conditions and requirements. The luminaire offers full flexibility for different lighting demands, for it's equipped with the latest LED drivers with multiple dimming and controlling options.



Durable and robust luminaire housing is made out of high pressure die-cast, high quality aluminum, resistant to vandalism and vibrations and with excellent heat dissipation properties. Optional implementations with different LED module configurations with optional CCT (3000 K and 4000 K) and excellent illuminance uniformity.

Powder coated with corrosion resistant, polyester paint. The default color is RAL9007. 5 mm safety tempered glass, easily replaceable.

High-pressure die-cast aluminum spigot for pole/console installation from $\varnothing 42$ to $\varnothing 60$ mm, powder coated with polyester, corrosion-resistant paint. Stainless steel washers, nuts and screws. Quick, easy and safe installation. Installation of the luminaire on a pole or a console is secured by two special stainless steel screws. (Allen screws). Wide scope of luminaire applications (technical street lighting, lighting of streets and avenues, orientation and security lighting, industrial lighting, and lighting of parks and car lots).

PRODUCT DATA

General Information

| | |
|--------------------------|----------------------------------------|
| Number of light sources | 16 pcs Cree XP-G3 |
| Lamp family name | MAGNUM |
| Light source color (CCT) | 4000 K |
| Light source replaceable | Yes |
| Nominal power | 35 W |
| Nominal luminous flux | 4375 lm |
| LED driving current | 700 mA |
| Luminous efficacy | 125,0 lm/W |
| Protection class IEC | Safety class I, S. class II on request |
| Connecting | IP66/68 3-pole fast connector |
| Certification | ENEC mark, CE |
| Light regulation | Prepared for dimming |

| | |
|------------------------------------|-------------------------------------------------------------------------------------------------------------------------------------------|
| Optic type outdoor | OPTICS-S |
| CRI | ≥ 70 |
| Luminaire fixation bolts | INBUS; M8; 45 mm |
| Serviceability class | Luminaire is equipped with serviceable parts - (when applicable): LED module, LED driver, optics, front glass cover and mechanical parts. |
| Light Technical Description | |
| Tilt angle post-top | 0° / 10° / 15° |
| Tilt angle side entry | 0° / 5° / 15° |

PRODUCT DATA

Operating and Electrical

| | |
|------------------------|-------------|
| Input voltage | 120...277 V |
| Input frequency | 50 ~ 60 Hz |
| Power factor λ | 0.95/0.90 |

Controls and Dimming

| | |
|----------|---------------------------|
| Dimmable | DALI / StepDIM / AstroDIM |
|----------|---------------------------|

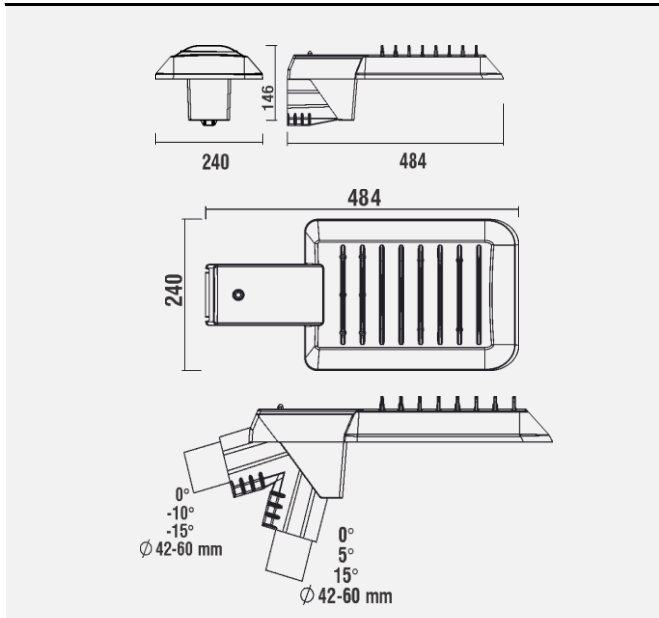
Mechanical and Housing

| | |
|------------------|------------------------------------|
| Housing material | High pressure die-cast aluminum |
| Optic material | PMMA |
| Optical cover | Tempered glass (5 mm) |
| Mounting device | Spigot for diameter 42-60 mm |
| Fixation type | Post top / side entry |
| Fixation angle | Mounting angle 0° / 5° / 10° / 15° |

Approval and Application

| | |
|-------------------------|----------------------------------|
| Ingress protection code | IP66 [Dust protected, jet-proof] |
| Mech. impact protection | IK09 fixture / IK08 glass |
| Surge protection | 10 kV |

Dimensional Drawing



Over Time Performance (IEC Compliant)

| | |
|------------------------|------------|
| LED useful life L80B10 | >100.000 h |
|------------------------|------------|

Application Conditions

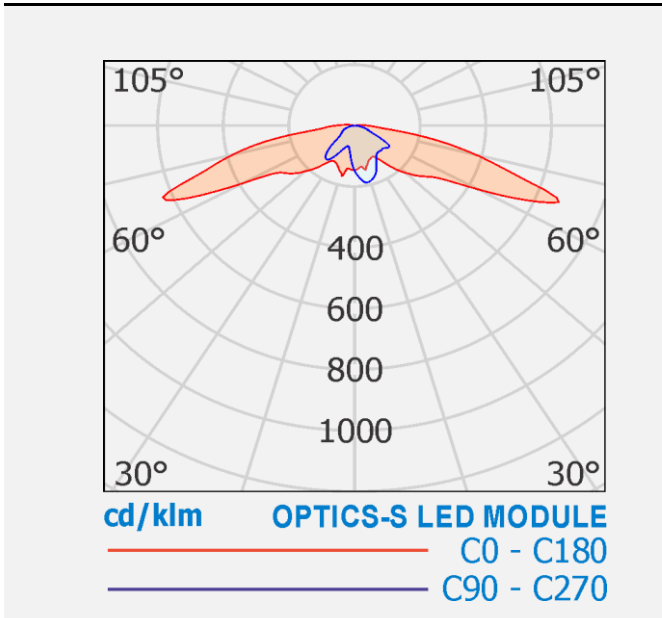
| | |
|-----------------------|---------------|
| Ambient temp. range | -20 to +45 °C |
| Average ambient temp. | Ta=35 °C |

Ordering Data

| | |
|--------------------|----------------------------------------------|
| Full order code | 2101403500021 |
| Order product name | MAGNUM MT-16 LED 35W 4000K OPTICS-S; RAL9007 |
| Quantity per pack | 1 |
| Net weight (piece) | 4,6 kg |



Photometric Data



Mines Team d.o.o. Na Logu 14, SI-5220 Tolmin, Slovenia
<http://www.mt-light.si> | E: info@mt-light.si
 T: +386 (05) 38 00 345 | +386 (05) 38 00 348