

## LED LATERNA- 30W

OPTICS-C; RAL7016; 4000 K

Due to the high quality and special optics „LED LATERNA“ achieves much better luminous efficiency, compared to lamps with conventional light sources, which means that we can achieve equal or better illumination at much lower power consumption. Luminous flux and nominal power of the lamp are completely flexible and they can be adjusted accordingly due to the project requirements. The lamp is made of solid, hand-forged and machined, galvanized, and finally powder coated steel. It also has a long life span, complete with the latest built-in electronic equipment.

**LED LATERNA luminaire is made in Slovenia.**



### PRODUCT DATA

#### General information

|                          |                               |
|--------------------------|-------------------------------|
| Number of light sources  | 16 pcs Cree XP-G3             |
| Lamp family name         | LATERNA                       |
| Light source color (CCT) | 4000 K                        |
| Light source replaceable | Yes                           |
| Nominal power            | 30 W                          |
| Nominal luminous flux    | 2730 lm                       |
| LED driving current      | 600 mA                        |
| Luminous efficacy        | 91 lm/W                       |
| Protection class IEC     | Safety class I                |
| Connecting               | IP66/68 3-pole fast connector |
| Certification            | CE                            |
| Light regulation         | Prepared for dimming          |

|                          |   |
|--------------------------|---|
| Optic type outdoor       | OPTICS-C  |
| CRI                      | ≥70   |
| Luminaire fixation bolts | Not included  |
| Serviceability class     | Luminaire is equipped with serviceable parts - (when applicable): LED module, LED driver, optics, front glass cover and mechanical parts. |
| Product family name      | LATERNA   |

## PRODUCT DATA

### Operating and Electrical

|                        |             |
|------------------------|-------------|
| Input Voltage          | 120...277 V |
| Input Frequency        | 50 ~ 60 Hz  |
| Power factor $\lambda$ | 0.95/0.90   |

### Controls and Dimming

|          |                           |
|----------|---------------------------|
| Dimmable | DALI / StepDIM / AstroDIM |
|----------|---------------------------|

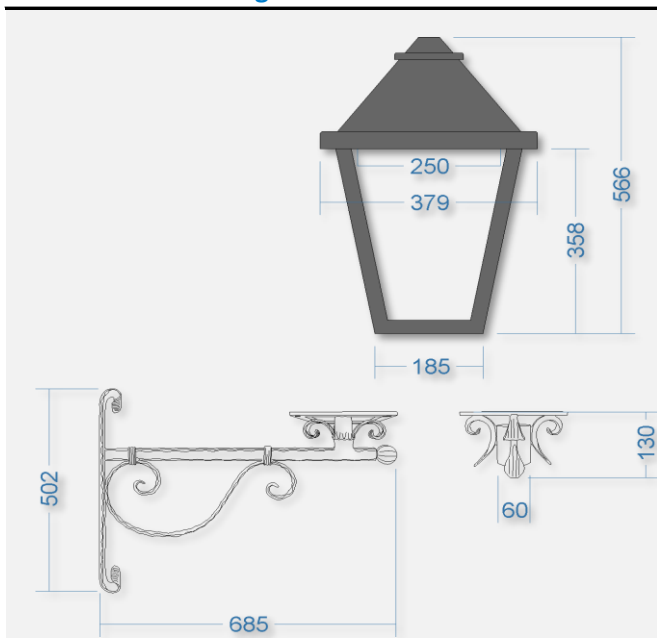
### Mechanical and Housing

|                  |                                 |
|------------------|---------------------------------|
| Housing Material | Galvanized steel, powder coated |
| Optic material   | PMMA                            |
| Optical cover    | Tempered glass (4 mm)           |
| Mounting device  | Pole adapter or Wall console    |
| Fixation type    | Post top / Wall mount           |
| Fixation angle   | Mounting angle 0°               |

### Approval and Application

|                         |                                  |
|-------------------------|----------------------------------|
| Ingress protection code | IP66 [Dust protected, jet-proof] |
| Mech. impact protection | IK09                             |
| Surge Protection        | 10 kV                            |

### Dimensional drawing



### Over Time Performance (IEC Compliant)

|                        |            |
|------------------------|------------|
| LED Useful life L80B10 | >100.000 h |
|------------------------|------------|

### Application Conditions

|                       |               |
|-----------------------|---------------|
| Ambient temp. range   | -20 to +45 °C |
| Average ambient temp. | Ta=35 °C      |

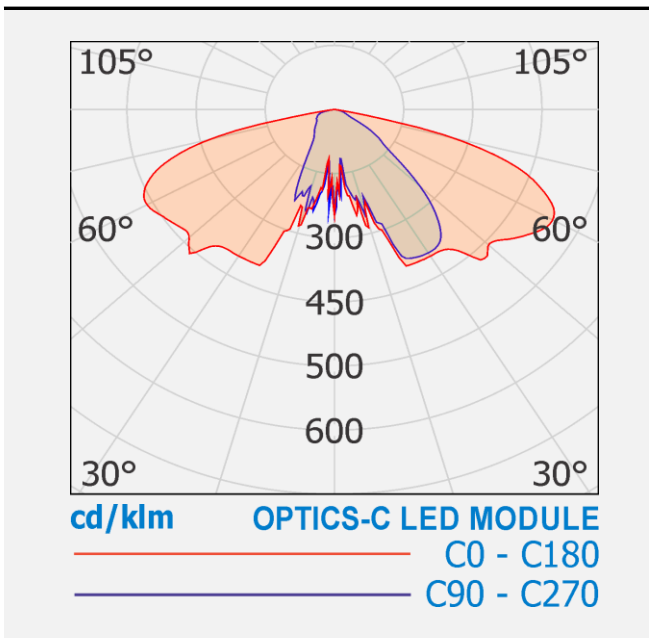
### Ordering Data

|                           |   |
|---------------------------|---|
| Full order code           | 250140304000                                  |
| Order product name        | LED LATERNA- 30W OPTICS-C;<br>RAL7016; 4000 K |
| Quantity Per Pack         | 1   |
| Net Weight (luminaire)    | 8,7 kg  |
| Net Weight (Wall console) | 7,0 kg  |
| Net Weight (Pole adapter) | 2,1 kg  |

### Mounting options ordering data

|              |              |
|--------------|--------------|
| Wall console | 250000000000 |
| Pole console | 250000000001 |

### Photometric data



### Mines Team d.o.o.

Na Logu 14, SI-5220 Tolmin, Slovenia  
<http://www.mt-light.si> | E: info@mt-light.si  
T: +386 (05) 38 00 345 | +386 (05) 38 00 348